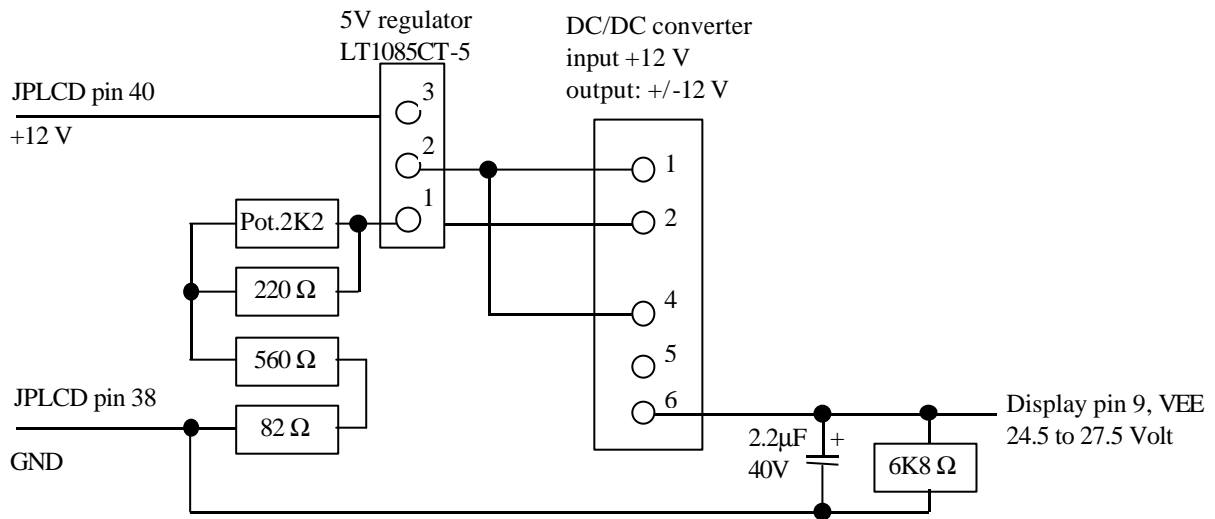


Display type: Sharp LM6Q32
 Inverter no.: Not available
 Cable no.: Not available
 System: 486-586LCD with FPUM-1, AC-1 and NMA 1212S (DC/DC conv.)
 Display driver: KYO KCS3224
 Status: Verified

Display Connector		JPLCD connector		Remarks
Term. #	Function	Pin	Connector	
1	YD	11	FLM	Scan start-up signal
2	LP	10	LP	Input data latch signal
3	VSS	12	GND	Ground potential
4	XCK	13	SHFCLK	Data input clock signal
5	VSS	14	GND	Ground potential
6	NC	-	-	No connection
7	DISP	3	ENVEE	Display control signal
8	VDD	1	LCDVCC	Power supply for logic (+5V)
9	VEE			connect to external 26V DC , see page 2.
10	VSS	26	GND	Ground potential
11	D0	25	P7	Display data signals
12	D1	24	P6	
13	D2	22	P5	
14	D3	21	P4	
15	D4	19	P3	
16	D5	18	P2	
17	D6	16	P1	
18	D7	15	P0	
19	VSS	17	GND	Ground potential
20	VSS	23	GND	Ground potential

DC/DC Converter	JPLCD connector	Remarks
Term. #	Function	Pin Connector
1	VCC	40 VEE Contrast voltage ON (+12 Volt)
2	GND	38 GND Ground potential
4	-V	40 VEE Contrast voltage ON (+12 Volt)
5	GND	- - No connection
6	+V	- - No connection



NB: The above circuit is only an example circuit.