

PREPARED BY : DATE <i>T. Nishioke Apr. 14, 1998</i>	SHARP TFT LIQUID CRYSTAL DISPLAY GROUP SHARP CORPORATION	SPEC No. LD-9730A
APPROVED BY : DATE <i>H. Kouchi Apr 14 '98</i>		FILE No.
		ISSUE : Apr 14, 1998
		PAGE : 16 pages
		APPLICABLE GROUP TFT LIQUID CRYSTAL DISPLAY GROUP
SPECIFICATION		

DEVICE SPECIFICATION FOR
TFT-LCD Module
MODEL No.
LQ12S41

CUSTOMER'S APPROVAL

DATE _____

BY _____

PRESENTED
BY *Y. Inaba*

Y. INABA
Department General Manager
LCD Products Development Center
TFT LIQUID CRYSTAL DISPLAY GROUP
SHARP CORPORATION

LD-9730-1

1. Application

This specification applies to color TFT-LCD module, LQ12S41.

These specification sheets are the proprietary product of SHARP CORPORATION ("SHARP") and include materials protected under copyright of SHARP. Do not reproduce or cause any third party to reproduce them in any form or by any means, electronic or mechanical, for any purpose in whole or in part, without the express written permission of SHARP.

The device listed in these specification sheets was designed and manufactured for use in general electronic equipment.

In case of using the device for applications such as control and safety equipment for transportation(aircraft, trains, automobiles, etc.), rescue and security equipment and various safety related equipment which require higher reliability and safety, take into consideration that appropriate measures such as fail-safe functions and redundant system design should be taken.

Do not use the device for equipment that requires an extreme level of reliability, such as aerospace applications, telecommunication equipment(trunk lines), nuclear power control equipment and medical or other equipment for life support.

SHARP assumes no responsibility for any damage resulting from the use of the device which does not comply with the instructions and the precautions specified in these specification sheets.

Contact and consult with a SHARP sales representative for any questions about this device.

2. Overview

This module is a color active matrix LCD module incorporating amorphous silicon TFT (Thin Film Transistor). It is composed of a color TFT-LCD panel, driver ICs, control circuit and power supply circuit and a backlight unit. Graphics and texts can be displayed on a 800 x 3 x 600 dots panel with 262,144 colors by supplying 16 bit data signal (6bit/color), four timing signals, +3.3V DC supply voltage for TFT-LCD panel driving and supply voltage for backlight.

The TFT-LCD panel used for this module is a low-reflection and higher-color-saturation type. Therefore, this module is also suitable for the multimedia use. Viewing angle is 6 o'clock direction.

This module is the type of wide viewing angle and high brightness(270cd/m²).

Backlight-driving DC/AC inverter is not built in this module.

LD-9730-2

3. Mechanical Specifications

Parameter	Specifications	Unit
Display size	31 (12.1") Diagonal	cm
Active area	246.0(H)×184.5(V)	mm
Pixel format	800(H)×600(V) (1 pixel=R+G+B dots)	pixel
Pixel pitch	0.3075(H)×0.3075(V)	mm
Pixel configuration	R,G,B vertical stripe	---
Display mode	Normally white	---
Unit outline dimensions *1	290.0(W)×225.0(H)×13.2(D)	mm
Mass	990±40	g
Surface treatment	Anti-glare and hard-coating 3H Haze value = 28 %	---

*1 Note: excluding backlight cables.

Outline dimensions is shown in Fig.1

LD-9730-3

4. Input Terminals

4-1. TFT-LCD panel driving

CNI Used connector:DF9MA-41P-1V (Hirose Electric Co., Ltd)

Corresponding connector: DF9-11S-1V,DF9A-11S-1V,DF9B-11S-1V,DF9M-11S-1V

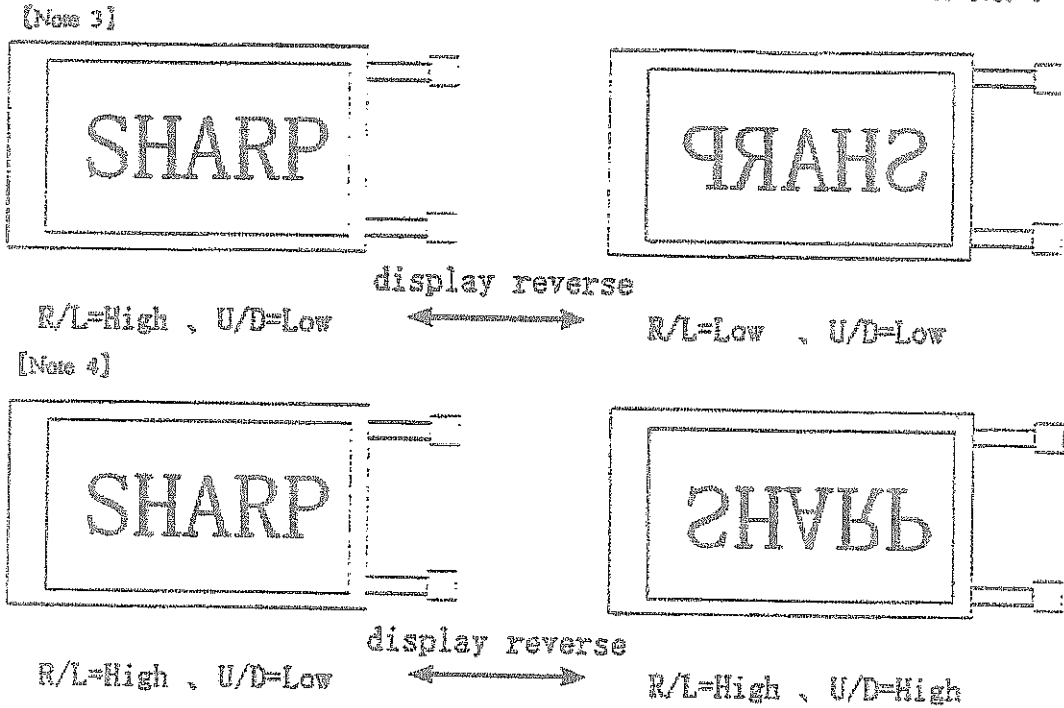
Pin No.	Symbol	Function	Remark
1	GND		
2	CK	Clock signal for sampling each data signal	
3	GND		
4	Hsync	Horizontal synchronous signal	[Note1]
5	Vsync	Vertical synchronous signal	[Note1]
6	GND		
7	GND		
8	GND		
9	R0	RED data signal(LSB)	
10	R1	RED data signal	
11	R2	RED data signal	
12	GND		
13	R3	RED data signal	
14	R4	RED data signal	
15	R5	RED data signal(MSB)	
16	GND		
17	GND		
18	GND		
19	G0	GREEN data signal(LSB)	
20	G1	GREEN data signal	
21	G2	GREEN data signal	
22	GND		
23	G3	GREEN data signal	
24	G4	GREEN data signal	
25	G5	GREEN data signal(MSB)	
26	GND		
27	GND		
28	GND		
29	B0	BLUE data signal(LSB)	
30	B1	BLUE data signal	
31	B2	BLUE data signal	
32	GND		
33	B3	BLUE data signal	
34	B4	BLUE data signal	
35	B5	BLUE data signal(MSB)	
36	GND		
37	ENAB	Signal to settle the horizontal display position	[Note2]
38	R/L	Horizontal display mode select signal	[Note3]
39	Vcc	+3.3V power supply	
40	Vcc	+3.3V power supply	
41	U/D	Vertical display mode select signal	[Note4]

*The shielding case is connected with GND.

[Note1] The polarity of both synchronous signals are negative.

[Note2] The horizontal display start timing is settled in accordance with a rising timing of ENAB signal. In case ENAB is fixed "Low", the horizontal start timing is determined as described in 7-2. Don't keep ENAB "High" during operation.

LD-9730-4



4-2. Backlight driving

Used connector : BHR-03VS-1(JST)

CN 2

Corresponding connector : SM02(8.0)E-BHS(JST)

Pin no.	symbol	function
1	V _{HIGH}	Power supply for lamp (High voltage side)
2	NC	This is electrically opened.
3	V _{LOW}	Power supply for lamp (Low voltage side)

5. Absolute Maximum Ratings

Parameter	Symbol	Condition	Rating	Unit	Remark
Input voltage	V _I	T _a =25°C	-0.3 ~ V _{CC} +0.3	V	[Note1]
+3.3V supply voltage	V _{CC}	T _a =25°C	0 ~ +6	V	-
Storage temperature	T _{mg}	-	-25 ~ +60	°C	[Note2]
Operating temperature (Ambient)	T _{opa}	-	0 ~ +30	°C	

[Note1] CK,R0~R5,G0~G5,B0~B5,Hsync,Vsync,ENAB,R/L,U/D

[Note2] Humidity : 95%RH Max. at T_a ≤ 40°C.

Maximum wet-bulb temperature at 39°C or less at T_a > 40°C.

No condensation.

LD-9730-5

6. Electrical Characteristics

6-1. TFT-LCD panel driving

Ta=25°C

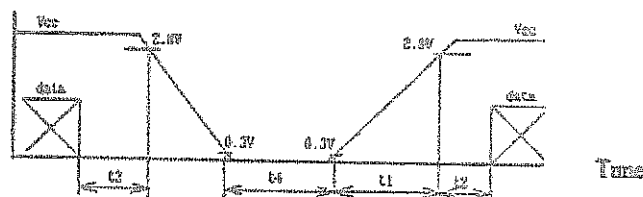
Parameter	Symbol	Min.	Typ.	Max.	Unit	Remark
3.3V Supply voltage	Vcc	+3.13	+3.3	+3.47	V	[Note1]
Current dissipation	Isc	--	270	430	mA	[Note2]
Permissive input ripple voltage	V _{rip}	--	--	100	mVp-p	Vcc=+3.3V
Input voltage (Low)	V _{IL}	--	--	0.3Vcc	V	[Note3]
Input voltage (High)	V _{IH}	0.7Vcc	--	--	V	
Input current (low)	I _{OL1}	--	--	1.0	μA	V _{IN} [Note4]
	I _{OL2}	--	--	30.0	μA	V _{IN} [Note5]
Input current (High)	I _{OH1}	--	--	1.0	μA	V _{IN} [Note6]
	I _{OH2}	--	--	30.0	μA	V _{IN} [Note7]

[Note1]

Vcc-turn-on conditions

- 0 < t1 ≤ 10ms
- 0 < t2 ≤ 20ms
- 0 < t3 ≤ 1s
- t4 > 1s

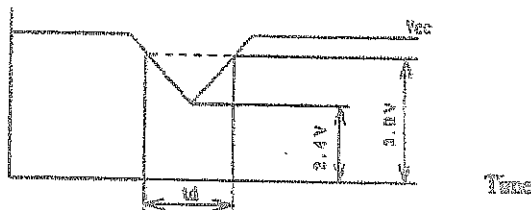
Voltage



Vcc-dip conditions

- 1) 2.4V ≤ Vcc < 3.0V
td ≤ 10ms
- 2) Vcc < 2.4V

Voltage



Vcc-dip conditions should also

follow the Vcc-turn-on conditions

[Note2] Typical current situation : 16-gray-bar pattern

Vcc=+3.3V

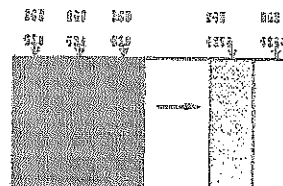
[Note5] CK,R0-R3,G0-G3,B0-B3,Hsync,Vsync,ENAB,R/L,U/D

[Note4] CK,R0-R3,G0-G3,B0-B3,Hsync,Vsync,ENAB

[Note5] R/L

[Note6] CK,R0-R3,G0-G3,B0-B3,Hsync,Vsync

[Note7] ENAB,U/D



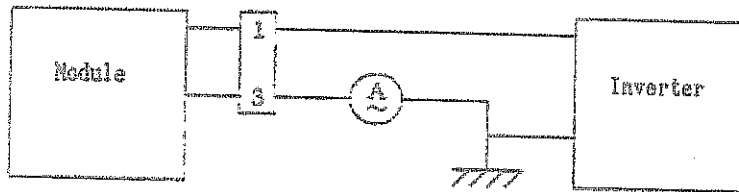
LD-9730-6

6-2. Backlight driving

The backlight system is an edge-lighting type with double CCFT (Cold Cathode Fluorescent Tube).
The characteristics of single lamp are shown in the following table.

Parameter	Symbol	Min.	Typ.	Max.	Unit	Remark
Lamp current	I_L	2.0	6.0	6.5	mA rms	[Note1]
Lamp power consumption	P_L	---	3.3	---	W	[Note2]
Lamp frequency	F_L	20	35	60	KHz	[Note3]
Kick-off voltage	V_s	---	---	1200	V rms	$T_a=25^\circ\text{C}$
		---	---	1400	V rms	$T_a=0^\circ\text{C}$ [Note4]
Lamp life time	L_L	---	30000	---	hour	[Note5]

[Note1] Lamp current is measured with current meter for high frequency as shown below.



* 3pin is V_{low}

[Note2] At the condition of $Y_L = 270 \text{ cd/m}^2$

[Note3] Lamp frequency may produce interference with horizontal synchronous frequency, and this may cause beat on the display. Therefore lamp frequency shall be detached as much as possible from the horizontal synchronous frequency and from the harmonics of horizontal synchronous to avoid interference.

[Note4] The open output voltage of the inverter shall be maintained for more than 1s; otherwise the lamp may not be turned on.

[Note5] a) Since lamp is consumables, the life time written above is referential value and it is not guaranteed in this specification sheet by SHARP.

Lamp life time is defined that it applied either ① or ② under this condition

(Continuous turning on at $T_a=25^\circ\text{C}$, $I_L=6\text{mA rms}$)

① Brightness becomes 50% of the original value under standard condition.

② Kick-off voltage at $T_a=0^\circ\text{C}$ exceeds maximum value, 1400 V rms.

b) In case of operating under lower temp environment, the lamp exhaustion is accelerated and the brightness becomes lower.

(Continuous operating for around 1 month under lower temp condition may reduce the brightness to half of the original brightness.)

In case of such usage under lower temp environment, periodical lamp exchange is recommended.

Note) The performance of the backlight, for example life time or brightness, is much influenced by the characteristics of the DC-AC inverter for the lamp. When you design or order the inverter, please make sure that a poor lighting caused by the mismatch of the backlight and the inverter (miss-lighting, flicker, etc.) never occur. when you confirm it, the module should be operated in the same condition as it is installed in your instrument.

LD-9730-11

9. Optical Characteristics

Ta=25°C, Vcc=+3.3V

Parameter		Symbol	Condition	Min.	Typ.	Max.	Unit	Remark
Viewing angle range	Horizontal	θ_{21}	(CR \geq 5)	60	70	—	Deg.	[Note1,4]
		θ_{22}		60	70	—	Deg.	
	Vertical	θ_{11}		40	55	—	Deg.	
		θ_{12}		50	55	—	Deg.	
Contrast ratio		CRn	$\theta=0^\circ$	150	—	—	—	[Note2,4]
		CRo	Best viewing angle	—	300	—	—	
Response time	Rise	τ_r	$\theta=0^\circ$	—	20	—	ms	[Note3,4]
	Decay	τ_d		—	40	—	ms	
Circumcity of white		X		—	0.315	—	—	[Note4]
		Y		—	0.325	—	—	
Luminance of white		YL		210	270	—	cd/m ²	
White Uniformity		δ_w		—	—	1.45	—	[Note5]
Direction of panel viewing angle		—	—	—	6	—	o'clock	[Note6]

*The measurement shall be executed 30 minutes after lighting at rating. (typical condition: I_b=6mA rms)
 The optical characteristics shall be measured in a dark room or equivalent state with the method shown in Fig.3 below.

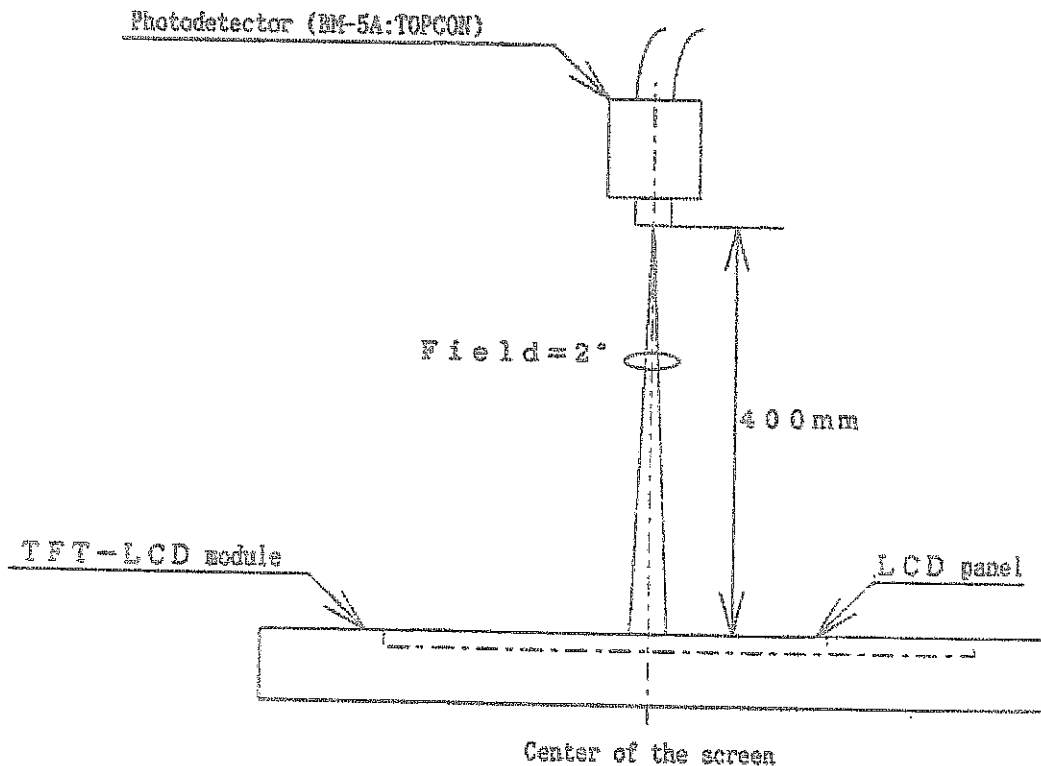


Fig.3 Optical characteristics measurement method

LD-9730-7

7. Timing Characteristics of input signals

Timing diagrams of input signal are shown in Fig.2-1-3.

7-1. Timing characteristics

Parameter		Symbol	Min.	Typ.	Max.	Unit	Remark
Clock	Frequency	1/Tc	—	40.0	42.0	MHz	—
	High time	Tch	5	—	—	ns	—
	Low time	Tcl	5	—	—	ns	—
	Duty ratio	TH/T	40	50	60	%	—
Data	Setup time	Tds	3	—	—	ns	—
	Hold time	Tdh	10	—	—	ns	—
Horizontal sync. signal	Cycle	TH	20.8	26.4	—	μs	—
			832	1056	—	clock	—
Vertical sync. signal	Pulse width	THp	2	128	200	clock	—
	Cycle	TV	628	666	798	line	—
			Pulse width	TVp	2	4	6
Horizontal display period		THd	800	800	800	clock	—
Hsync-Clock phase difference		THc	0	—	Tc-10	ns	—
Hsync-Vsync phase difference		TVh	0	—	TH-THp	ns	—
Vertical data start position		TVs	23	23	23	line	—

Note) In case of lower frequency, the deterioration of display quality, flicker etc. may be occurred.

7-2. Horizontal display position

The horizontal display position is determined by ENAB signal and the input data corresponding to the rising edge of ENAB signal is displayed at the left end of the active area.

Parameter		symbol	Min.	Typ.	Max.	Unit	Remark
Enable signal	Setup time	Tes	3	—	Tc-10	ns	—
	Pulse width	Tep	2	800	TH-10	clock	—
Hsync-Enable signal phase difference		THe	38	88	170	clock	—

Note) When ENAB is fixed "Low", the display starts from the data of C88(clock) as shown in Fig.2.

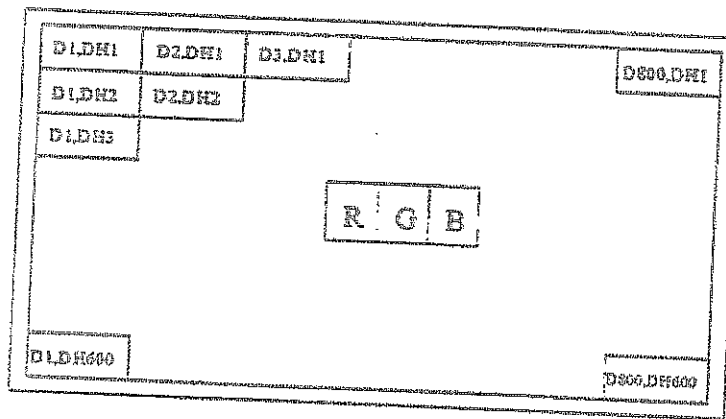
LD-9730-8

7-3. Vertical display position

The vertical display position, TVs is fixed "23" (line).

7-4. Input Data Signals and Display Position on the screen

Display position of input data



LD-9730-10

8. Input Signals, Basic Display Colors and Gray Scale of Each Color

Colors & Gray scale	GrayScale	Data signal																	
		R0	R1	R2	R3	R4	R5	G0	G1	G2	G3	G4	G5	B0	B1	B2	B3	B4	B5
Basic color	Black	—	0	0	0	0	0	0	0	0	0	0	0	0	0	0	0	0	0
	Blue	—	0	0	0	0	0	0	0	0	0	0	0	1	1	1	1	1	1
	Green	—	0	0	0	0	0	0	1	1	1	1	1	0	0	0	0	0	0
	Cyan	—	0	0	0	0	0	0	1	1	1	1	1	1	1	1	1	1	1
	Red	—	1	1	1	1	1	1	0	0	0	0	0	0	0	0	0	0	0
	Magenta	—	1	1	1	1	1	1	0	0	0	0	0	1	1	1	1	1	1
	Yellow	—	1	1	1	1	1	1	1	1	1	1	1	0	0	0	0	0	0
	White	—	1	1	1	1	1	1	1	1	1	1	1	1	1	1	1	1	1
Gray Scale of red	Black	GS0	0	0	0	0	0	0	0	0	0	0	0	0	0	0	0	0	0
	↑	GS1	1	0	0	0	0	0	0	0	0	0	0	0	0	0	0	0	0
	Darker	GS2	0	1	0	0	0	0	0	0	0	0	0	0	0	0	0	0	0
	↑	↓				↓					↓					↓			
	↓	↓				↓					↓					↓			
	Brighter	GS61	1	0	1	1	1	1	0	0	0	0	0	0	0	0	0	0	0
	↓	GS62	0	1	1	1	1	1	0	0	0	0	0	0	0	0	0	0	0
	Red	GS63	1	1	1	1	1	1	0	0	0	0	0	0	0	0	0	0	0
Gray Scale of green	Black	GS0	0	0	0	0	0	0	0	0	0	0	0	0	0	0	0	0	0
	↑	GS1	0	0	0	0	0	0	1	0	0	0	0	0	0	0	0	0	0
	Darker	GS2	0	0	0	0	0	0	0	1	0	0	0	0	0	0	0	0	0
	↑	↓				↓					↓					↓			
	↓	↓				↓					↓					↓			
	Brighter	GS61	0	0	0	0	0	0	1	0	1	1	1	1	0	0	0	0	0
	↓	GS62	0	0	0	0	0	0	0	1	1	1	1	1	0	0	0	0	0
	Green	GS63	0	0	0	0	0	0	1	1	1	1	1	1	0	0	0	0	0
Gray Scale of blue	Black	GS0	0	0	0	0	0	0	0	0	0	0	0	0	0	0	0	0	0
	↑	GS1	0	0	0	0	0	0	0	0	0	0	0	1	0	0	0	0	0
	Darker	GS2	0	0	0	0	0	0	0	0	0	0	0	0	1	0	0	0	0
	↑	↓				↓					↓					↓			
	↓	↓				↓					↓					↓			
	Brighter	GS61	0	0	0	0	0	0	0	0	0	0	0	1	0	1	1	1	1
	↓	GS62	0	0	0	0	0	0	0	0	0	0	0	0	1	1	1	1	1
	Blue	GS63	0	0	0	0	0	0	0	0	0	0	0	1	1	1	1	1	1

0 : Low level voltage, 1 : High level voltage

Each basic color can be displayed in 64 gray scales from 6 bit data signals. According to the combination of total 18 bit data signals, the 262,144-color display can be achieved on the screen.

LD-9730-11

9. Optical Characteristics

Ta=25°C, Vcc=+3.3V

Parameter		Symbol	Condition	Min.	Typ.	Max.	Unit	Remark
Viewing angle range	Horizontal	θ_{21}	(CR \geq 5)	60	70	—	Deg.	[Note1,3]
		θ_{22}		60	70	—	Deg.	
	Vertical	θ_{11}		40	55	—	Deg.	
		θ_{12}		50	55	—	Deg.	
Contrast ratio		CRn	$\theta=0^\circ$	150	—	—	—	[Note2,4]
		CRo	Best viewing angle	—	300	—	—	—
Response time	Rise	τ_r	$\theta=0^\circ$	—	20	—	ms	[Note3,4]
	Decay	τ_d		—	40	—	ms	
Chromaticity of white		X		—	0.315	—	—	[Note4]
		Y		—	0.325	—	—	
Luminance of white		YL	—	210	270	—	cd/m ²	—
White Uniformity		δ_w	—	—	—	1.45	—	[Note5]
Direction of panel viewing angle		—	—	—	6	—	o'clock	[Note6]

*The measurement shall be executed 30 minutes after lighting at rating. (typical condition: I_L=6mA rms)
 The optical characteristics shall be measured in a dark room or equivalent state with the method shown in Fig.3 below.

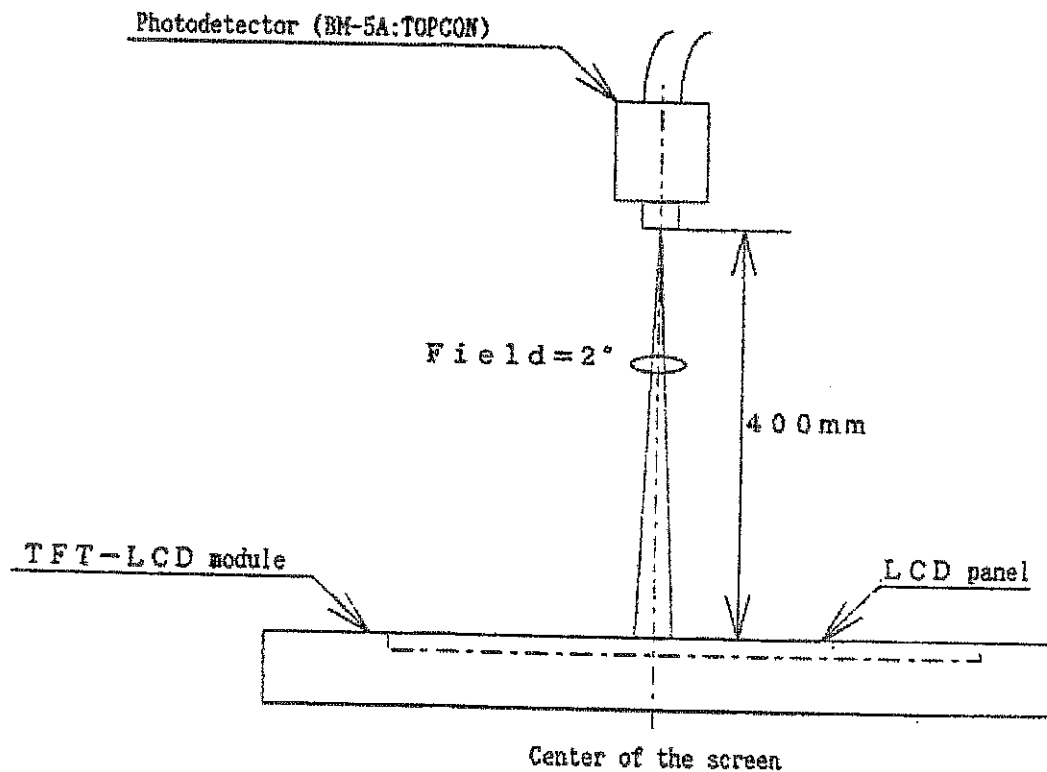
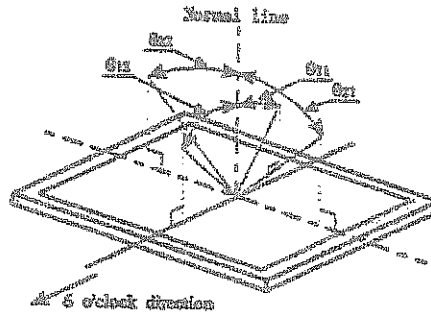


Fig.3 Optical characteristics measurement method

LD-9730-12

[Note1] Definitions of viewing angle range:



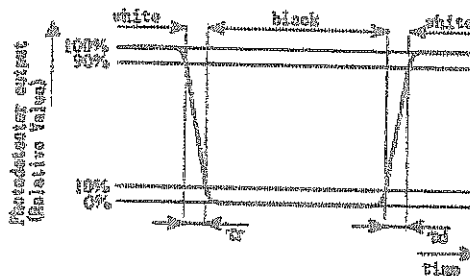
[Note2] Definition of contrast ratio:

The contrast ratio is defined as the following.

$$\text{Contrast Ratio (CR)} = \frac{\text{Luminance (brightness) with all pixels white}}{\text{Luminance (brightness) with all pixels black}}$$

[Note3] Definition of response time:

The response time is defined as the following figure and shall be measured by switching the input signal for "black" and "white".

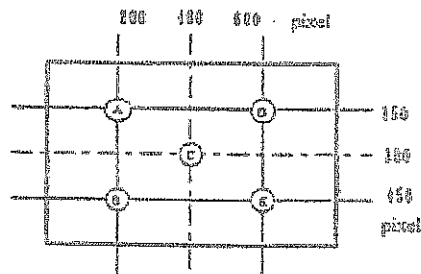


[Note4] This shall be measured at center of the screen.

[Note5] Definition of white uniformity:

White uniformity is defined as the following with five measurements

(A~E).



$$\delta_w = \frac{\text{Maximum Luminance of five points (brightness)}}{\text{Minimum Luminance of five points (brightness)}}$$

[Note6] In the direction of 6 o'clock, Gray scale reverse occurs.

10/06/98 15:31:30

SHARP FastFax->

9493612121 1-800-833-9437

Page 015

LD-9730-13

10. Display Quality

The display quality of the color TFT-LCD module shall be in compliance with the Incoming Inspection Standard.

11. Handling Precautions

- a) Be sure to turn off the power supply when inserting or disconnecting the cable.
- b) Be sure to design the cabinet so that the module can be installed without any extra stress such as warp or twist.

To avoid excessive stress on the circuit board, press the surface of the metal case of LCD module, while inserting the connector.

- c) Since the front polarizer is easily damaged, pay attention to avoid rubbing with something hard or sharp.
- d) Wipe off water drop immediately. Long contact with water may cause discoloration or spots.
- e) When the panel surface is soiled, wipe it with absorbent cotton or other soft cloth.
- f) Since the panel is made of glass and refined wires and components, it may break, crack or internal wire breaking if dropped or bumped on hard surface.
Handle with care.
- g) Since CMOS LSI is used in this module, take care of static electricity and injure the human earth when handling.
- h) Observe all other precautionary requirements in handling components.
- i) This module has its circuitry PCBs on the rear side and should be carefully handled in order not to be stressed.
- j) Laminated film is attached to the module surface to prevent it from being scratched. Peel the film off slowly, just before the use, with strict attention to electrostatic charges. Ionized air shall be blown over during the action. Blow off 'dust' on the polarizer by using an ionized nitrogen gun, etc.
- k) The polarizer surface on the panel is treated with Anti-Glare for low reflection. In case of attaching protective board over the LCD. Be careful about the optical interference fringe etc.
Which degrades display quality.
- l) Connect GND to 4 place of mounting holes to stabilize against EMI and external noise.
- m) There are high voltage portions on the backlight and very dangerous. Careless touch may lead to electrical shock. When exchange lamps or service. Turn off the power without fail.

12. Packing form

- a) Piling number of cartons : MAX.7
- b) Package quantity in one carton : 10 pcs
- c) Carton size : 433mm(W) × 384mm(H) × 352mm(D)
- d) Total mass of 1 carton filled with full modules : 13 kg

LD-9730-14

13. Reliability test items

No.	Test item	Conditions
1	High temperature storage test	Ta=60°C 240h
2	Low temperature storage test	Ta=-25°C 240h
3	High temperature & high humidity operation test	Ta=40°C ; 95%RH 240h (No condensation)
4	High temperature operation test	Ta=50°C 240h
5	Low temperature operation test	Ta=0°C 240h
6	Vibration test (non-operating)	Frequency : 10~57Hz/Vibration width (one side):0.075mm : 58~500Hz/Gravity:9.8m/s ² Sweep time : 11 minutes Test period : 3 hours (1 hour for each direction of X,Y,Z)
7	Shock test (non-operating)	Max. gravity : 490m/s ² Pulse width : 1ms, half sine wave Direction : ±X, ±Y, ±Z once for each direction.

[Result Evaluation Criteria]

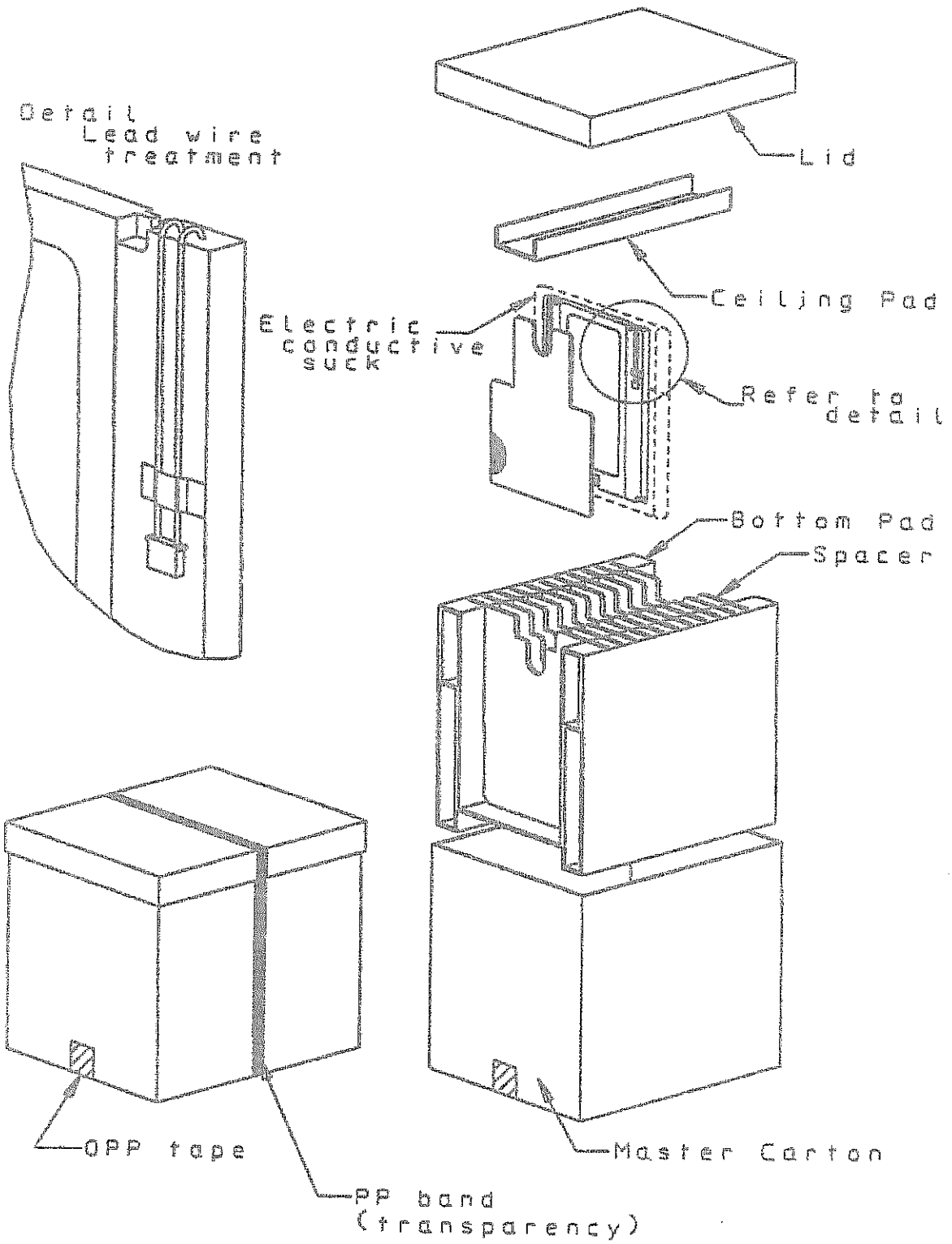
Under the display quality test conditions with normal operation state, there shall be no change which may affect practical display function.

14. Others

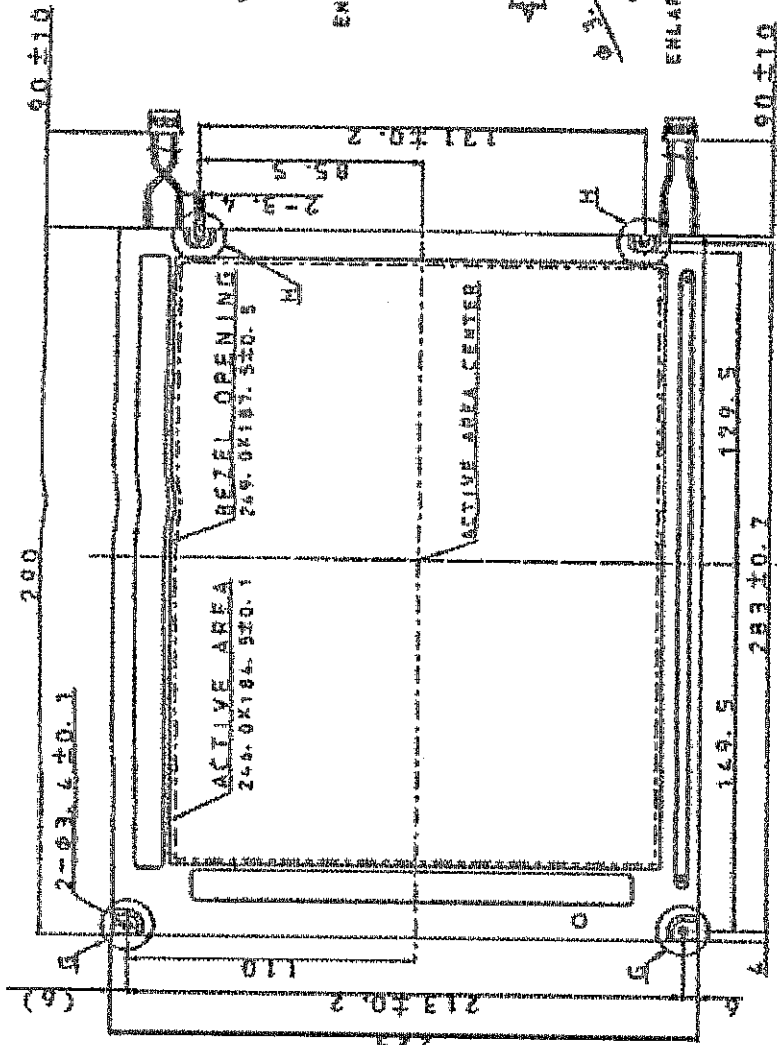
1) Lot No. Label:



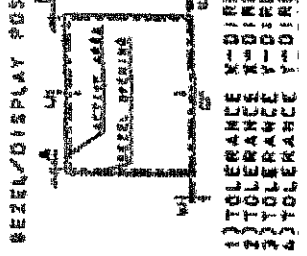
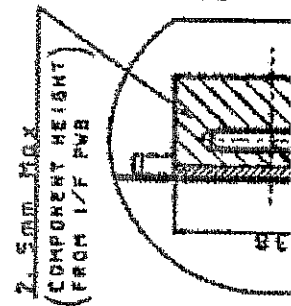
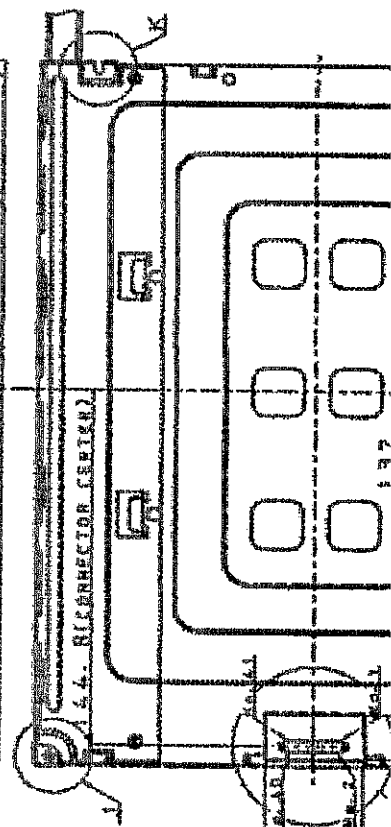
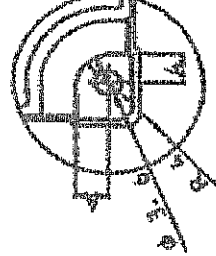
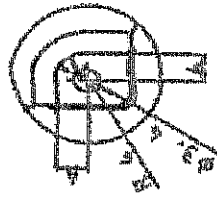
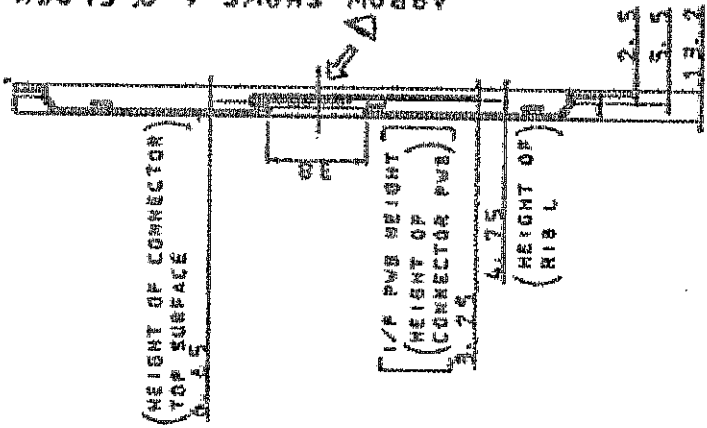
- 2) Adjusting volume have been set optimally before shipment, so do not change any adjusted value.
If adjusted value is changed, the specifications may not be satisfied.
- 3) Disassembling the module can cause permanent damage and should be strictly avoided.
- 4) Please be careful since image retention may occur when a fixed pattern is displayed for a long time.
- 5) If any problem occurs in relation to the description of this specification, it shall be resolved through discussion with spirit of cooperation.



Packing Form



ARROW SHOWS 9 O'CLOCK VIEWING ANGLE



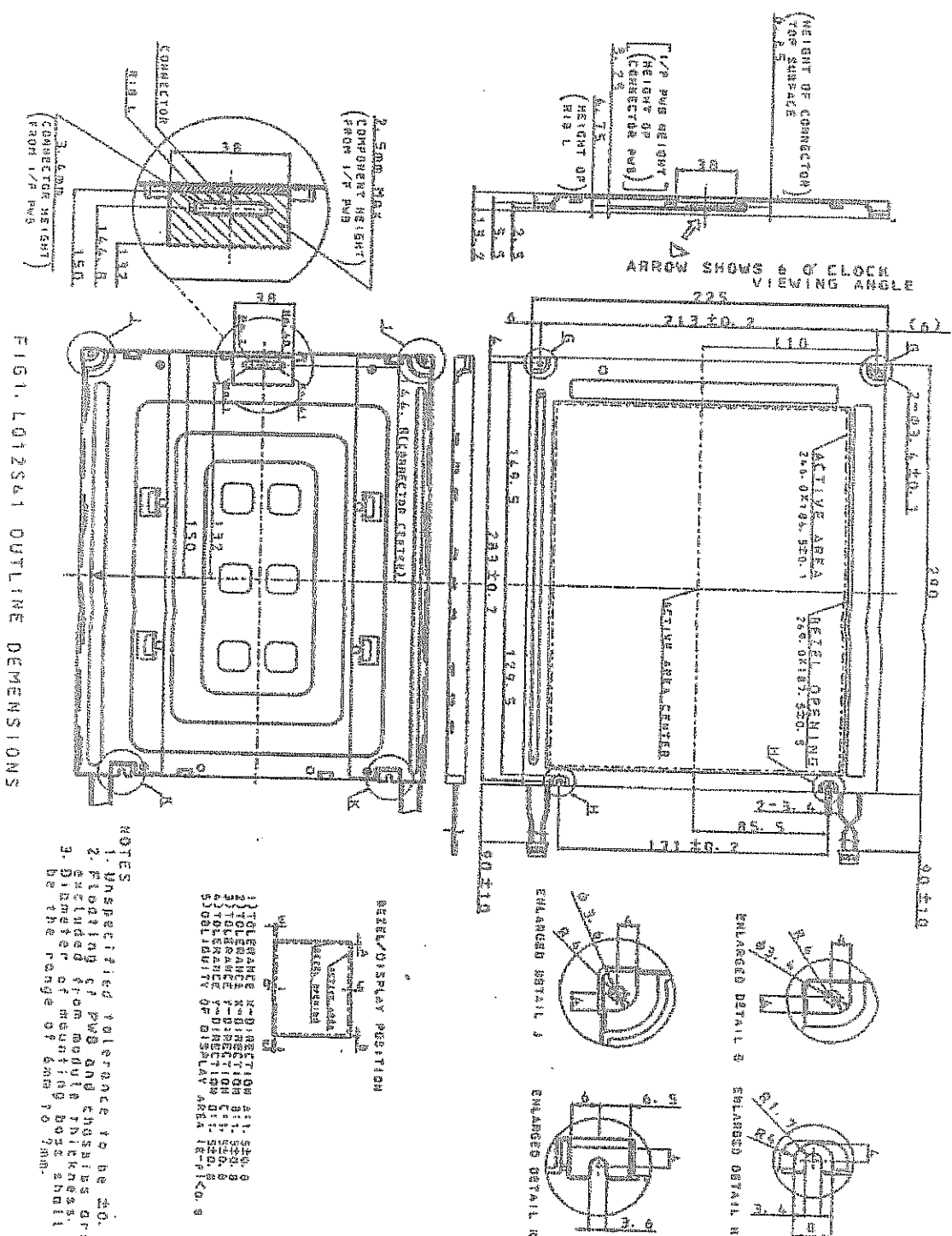
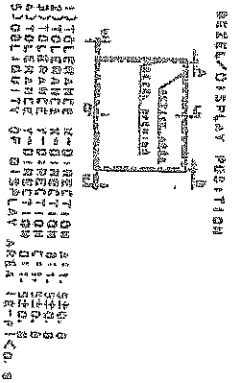
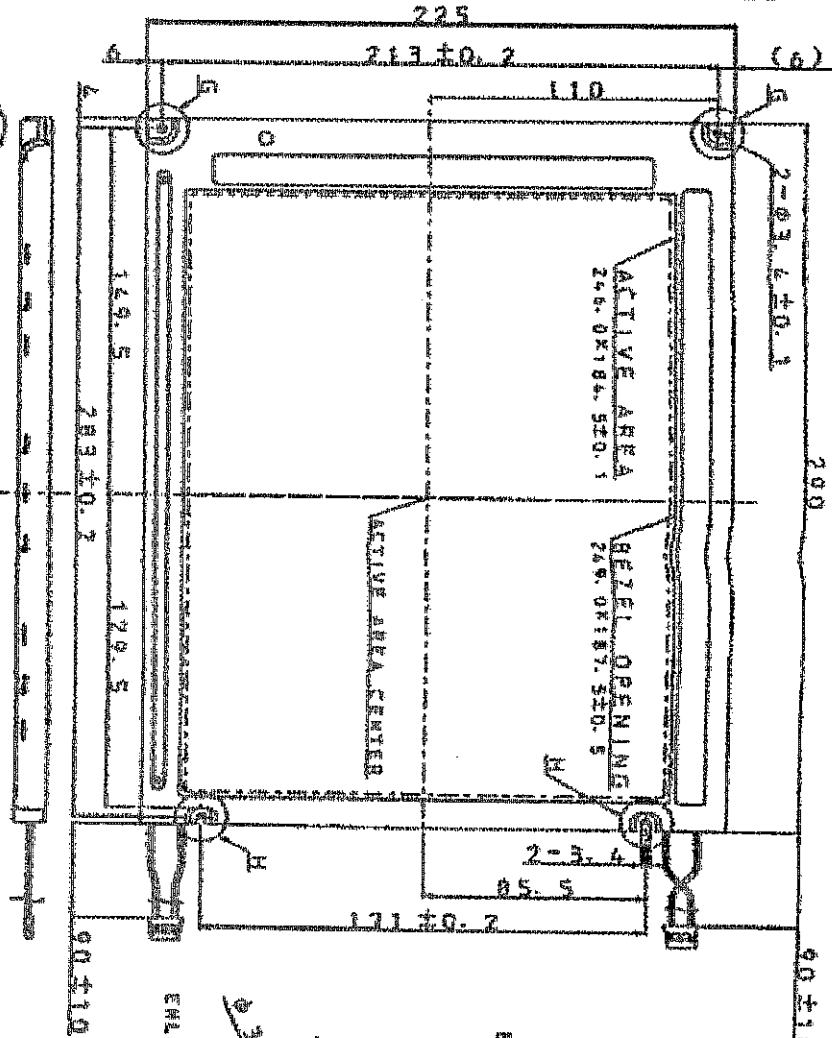
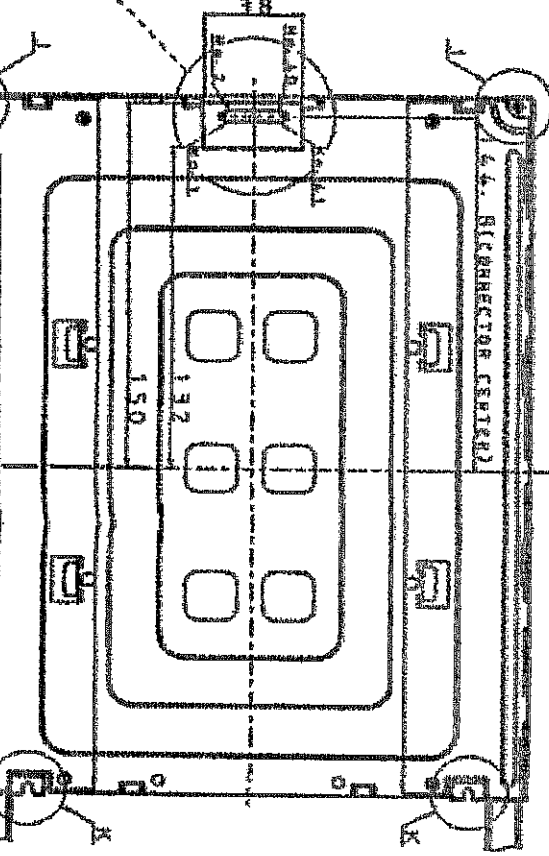
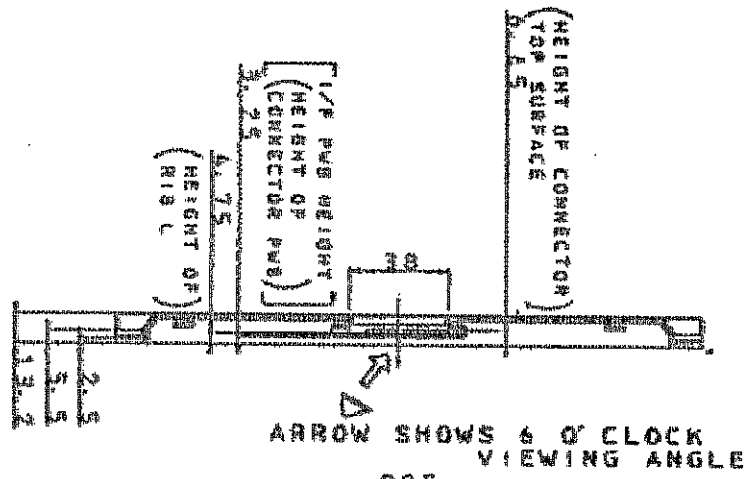
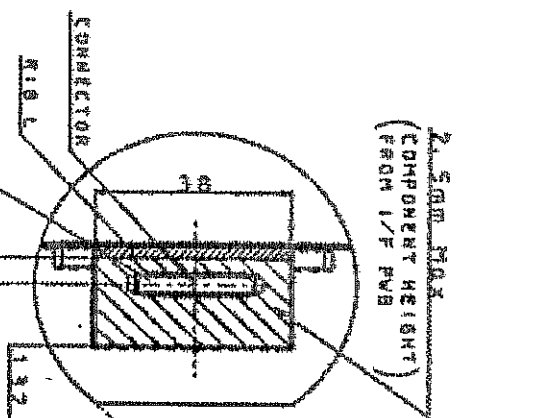


FIG1. L012S41 OUTLINE DEMENSIONS

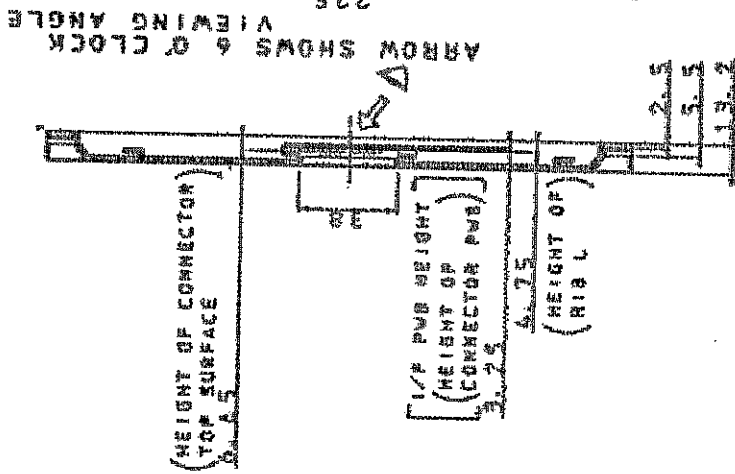
- NOTES
1. Unspecified tolerance to be ±0.5.
 2. Fixturing of PWB and chassis are excluded from mounting tolerances.
 3. Diameter of mounting holes shall be the range of 4mm to 7mm.



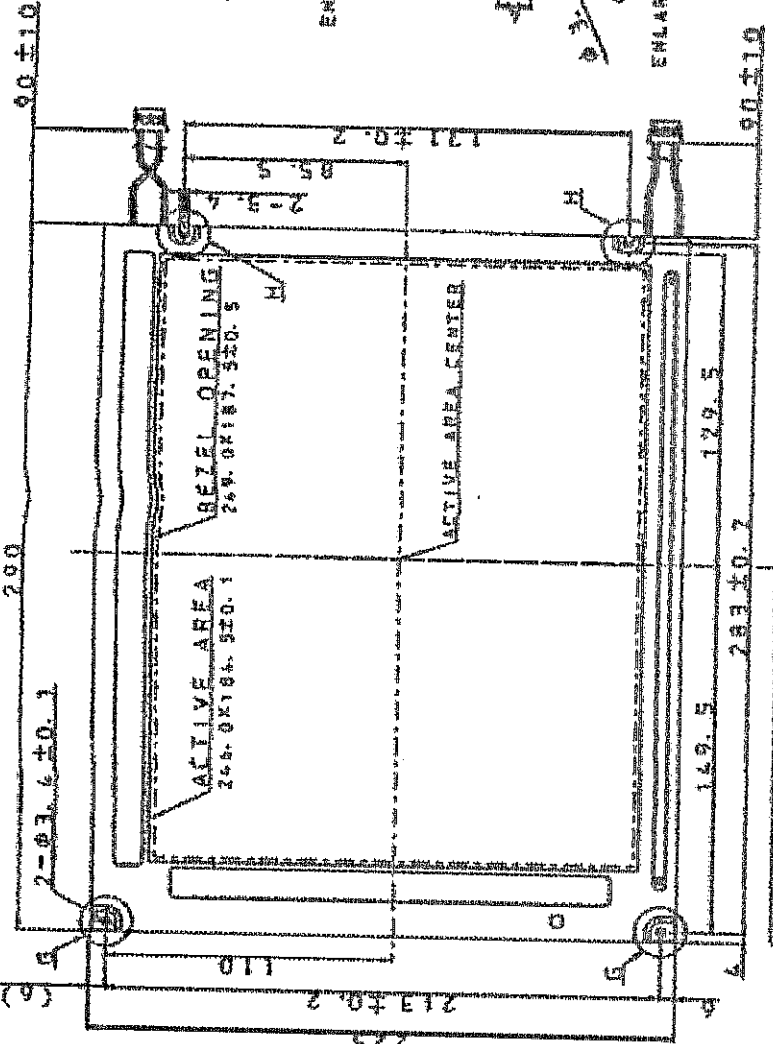


NOTES
1. UNSPECIFIED



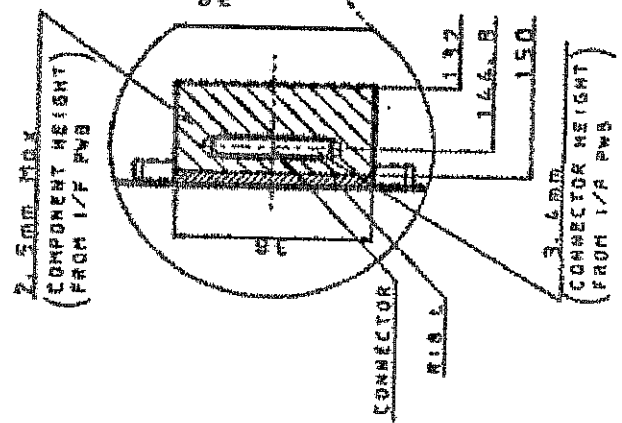


ARROW SHOWS 6 O'CLOCK VIEWING ANGLE



ENLARGED

ENLARGED DET



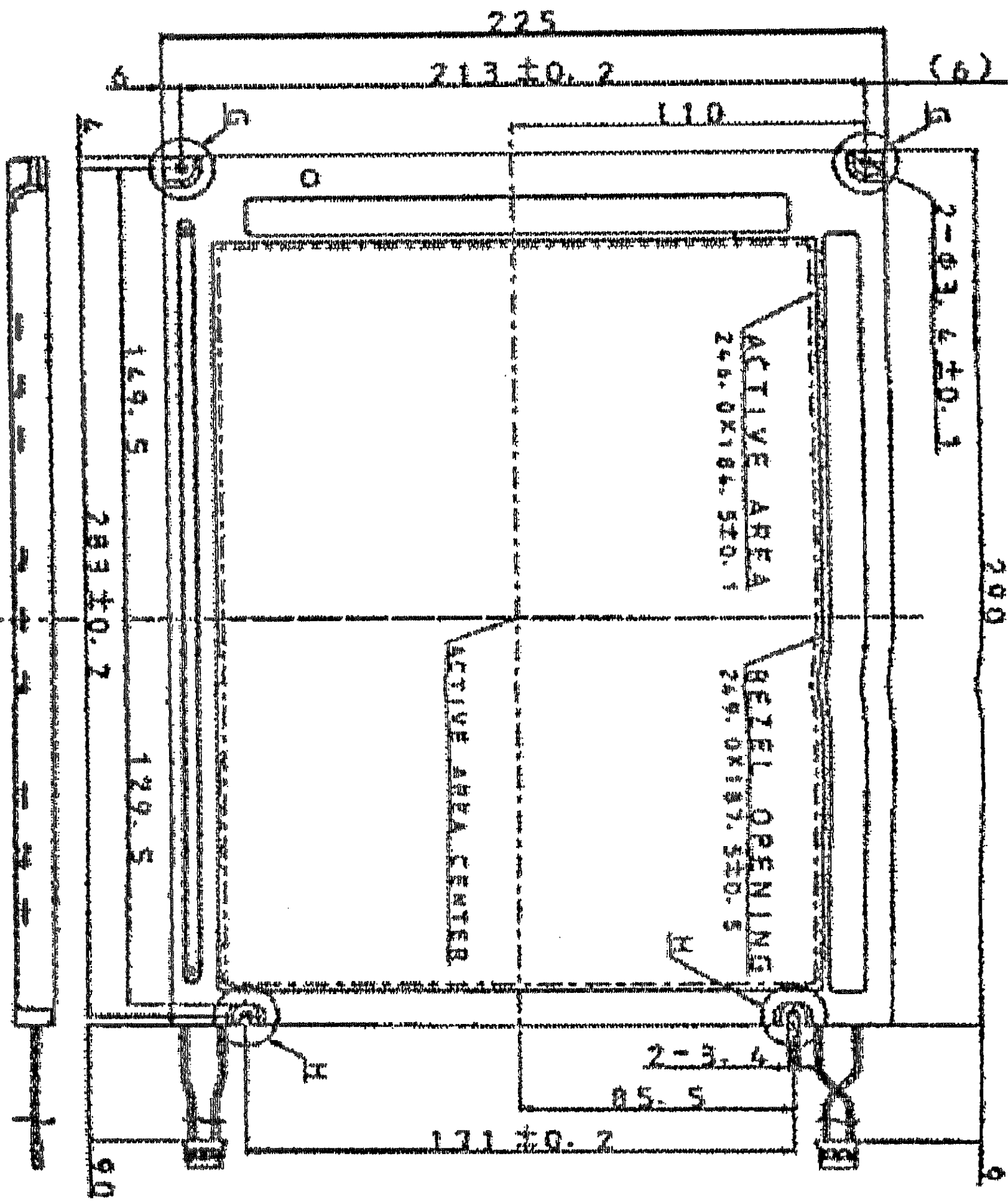
BEZEL/DIS

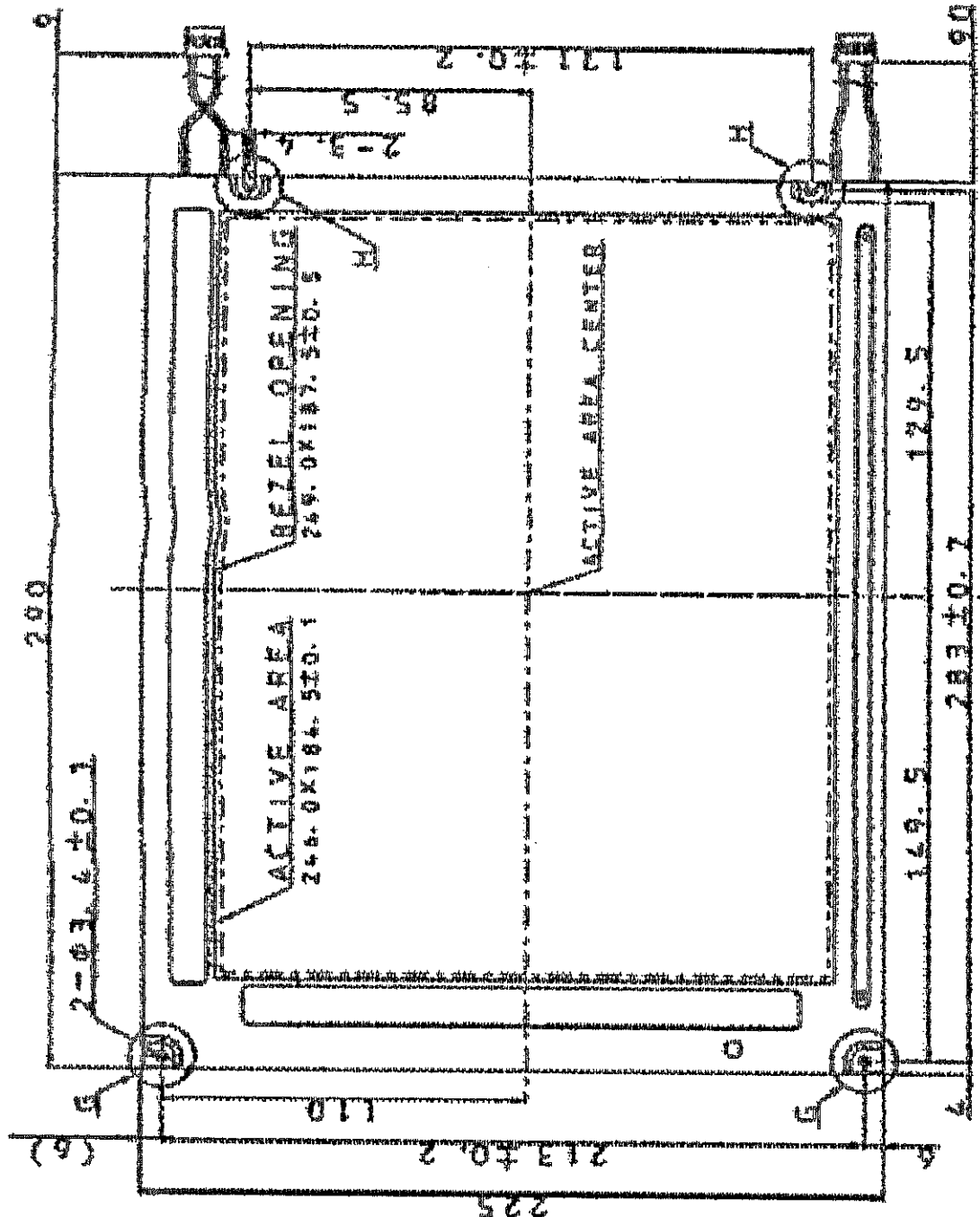
- 1) TOLERANCE
- 2) TOLERANCE
- 3) TOLERANCE
- 4) TOLERANCE
- 5) OBS. TOL.

NOTES

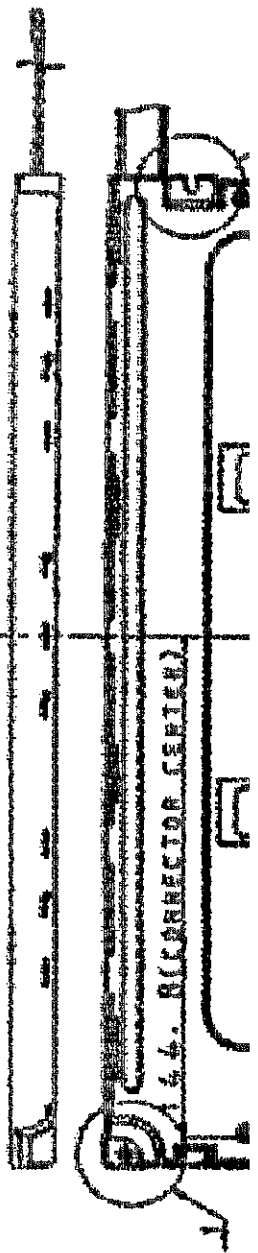
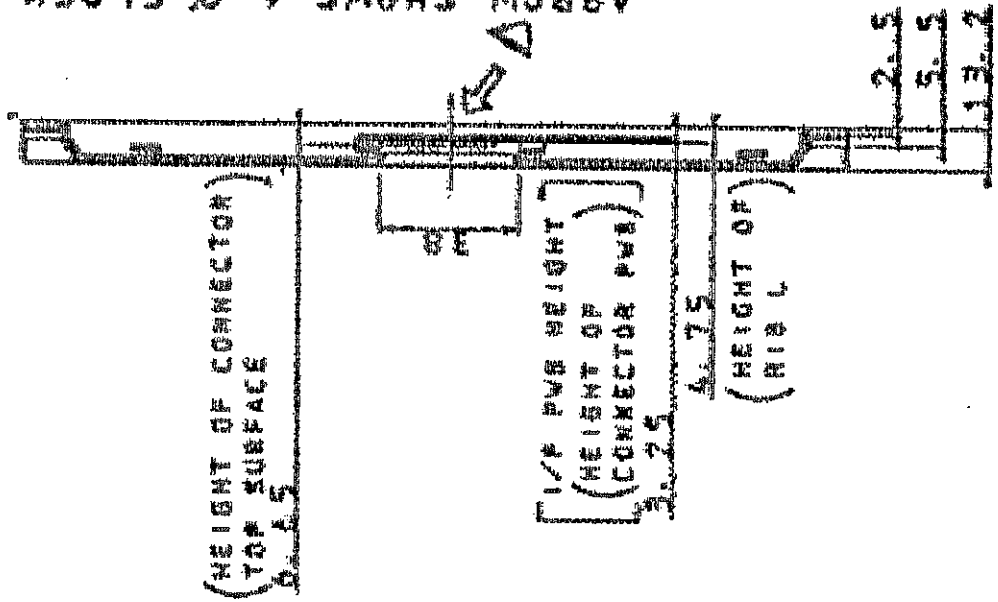
- 1. Unspecified
- 2. Flooding excluded
- 3. Diameter to be the ref

FIG. 1. L012S41 OUTLINE DIMENSIONS





ARROW SHOWS 6 O'CLOCK
VIEWING ANGLE



2.5MM MAX